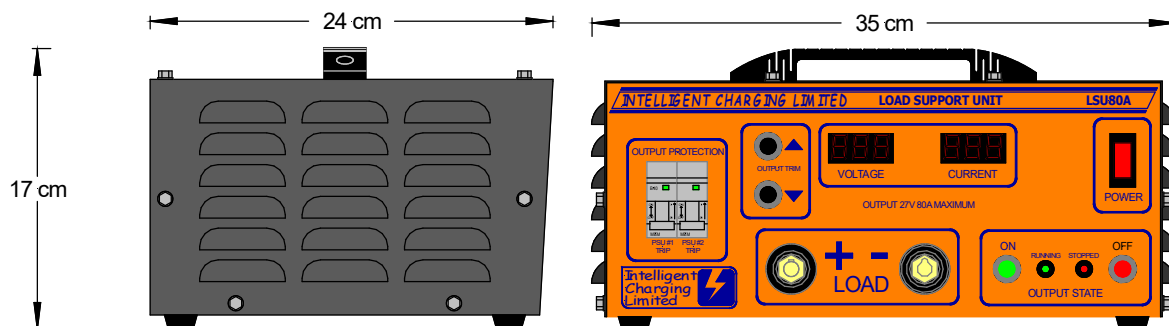


# Intelligent Charging Limited

Battery Charging And Testing For Critical Applications



## LSU80A - Load Support Unit Technical Specifications



### MAINS INPUT:

110-240VAC 50-60Hz  
2.5KW Max

### OUTPUT:

Voltage 10.0V Minimum 27.0V Maximum  
Current 80A Maximum

### DISPLAY:

Output Volts & Amps Displayed On A Clear Display

### OVERLOAD PROTECTION:

105% - 125% Of Output Power  
Constant Power To 75% Of Set Output Voltage Then  
Output Shuts Down  
Recycle AC To Reset

### SHORT CIRCUIT PROTECTION:

Output Latches Off  
Recycle Ac To Reset

### METER ACCURACY:

Voltage Accuracy  $\pm 0.2V$   
Current Accuracy  $\pm 1.0A$

### GENERAL

Can Support Both 12V And 24V Systems  
Maximum Current Of 80a  
Voltage Can Be Trimmed To Offset Cable Drops  
Output Controlled By Run And Stop Buttons  
1 Year Return To Base Warranty

### WEIGHT:

15Kg ( 33Lbs )

### DIMENSIONS:

17 x 35 x 24 cm (6.7" x 13.8" x 9.4")

### MAINTENANCE:

Field Calibration Possible

### ENVIRONMENTAL:

Temp Operating 0°C ~ 40°C  
Temp Storage -10°C ~ 60°C  
Humidity 20% - 90% Non Condensing  
Altitude 0 to 3000 Metres

### IP RATING:

Operating IP33

Data-sheet Revision 4 16-11-2020

To discuss your battery charging and testing requirements and to discover how a standard or bespoke Intelligent Charging solution would help your operations, contact:

## Intelligent Charging Limited

Ford House, Dewing Road,  
Rackheath Industrial Estate, Norwich, Norfolk,  
NR13 6PS. ENGLAND.

Registered in England No. 03270052 VAT Reg. GB 688 3706 84

Tel : +44 (0) 1603 722770

Fax : +44 (0) 1603 722771

mail : [sales@intelligent-charging.com](mailto:sales@intelligent-charging.com)

ISO9001:2015 Registered Company. Certificate FM 535034